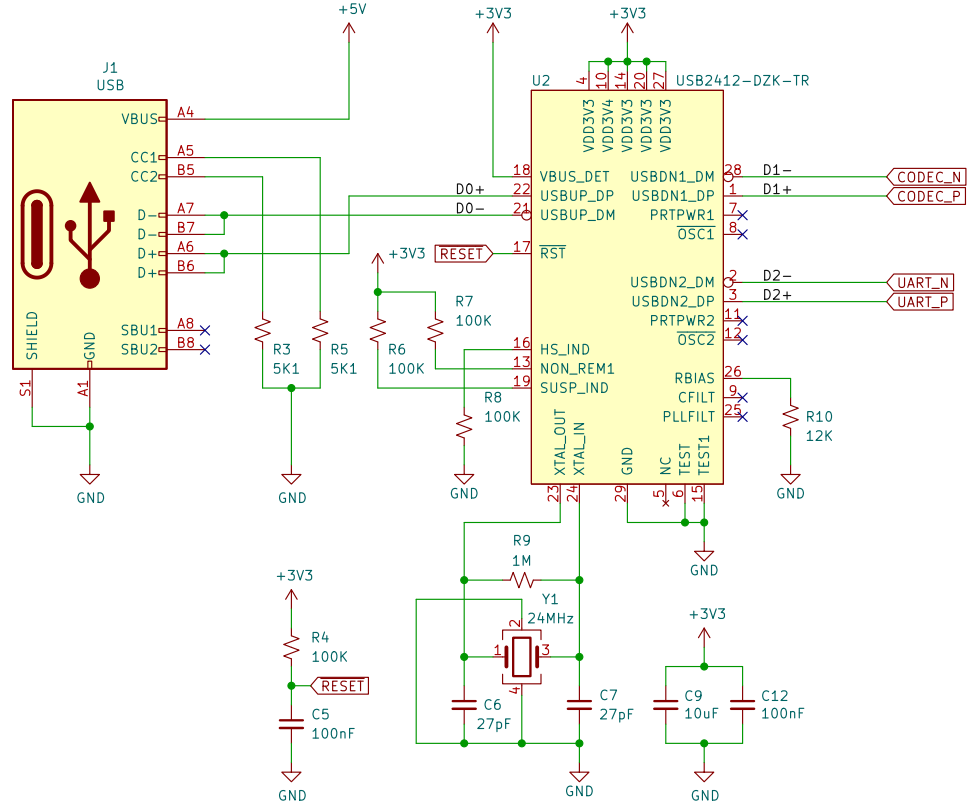
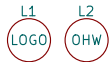


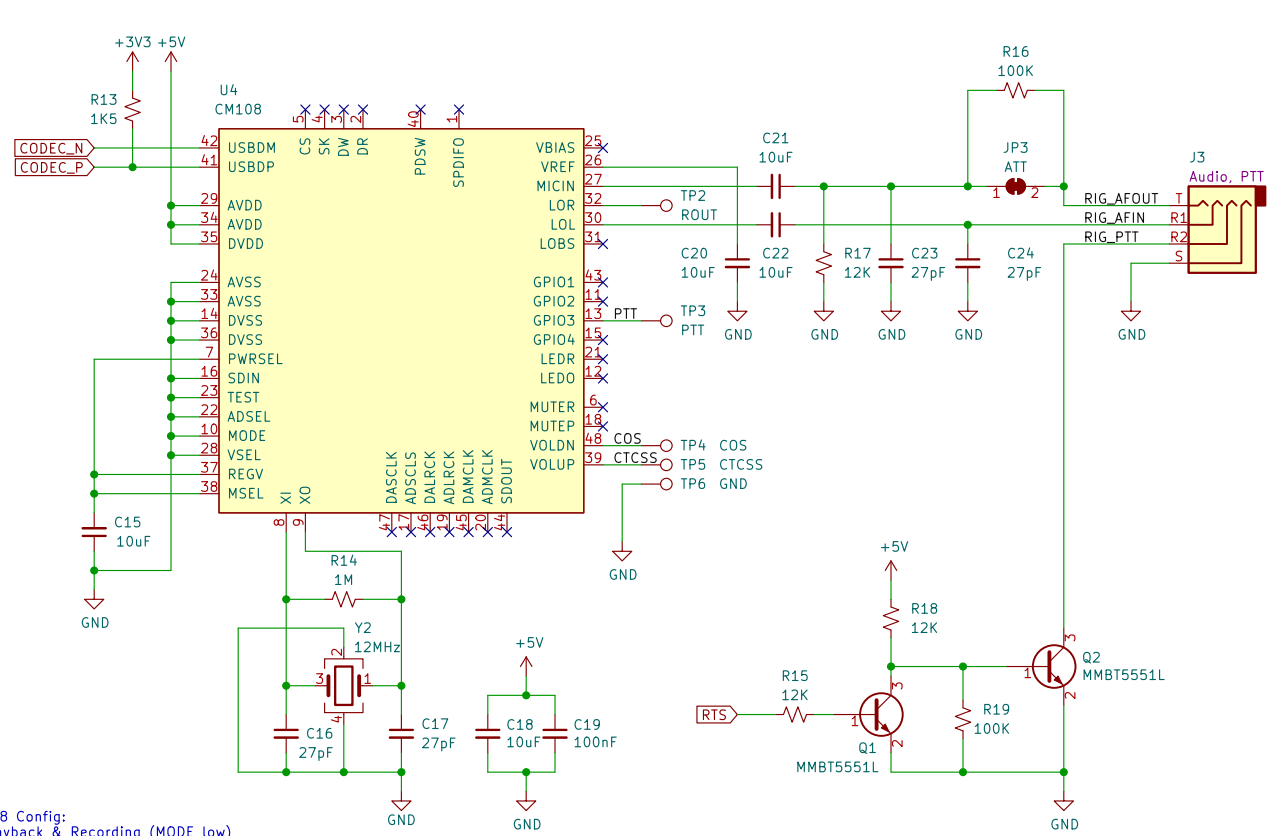
USB Hub



USB1412 Config:
 - both ports are non-removable (NON_REM1, SUSP_IND/NON_REM2 high at reset)
 - no high speed LED (HS_IND low)

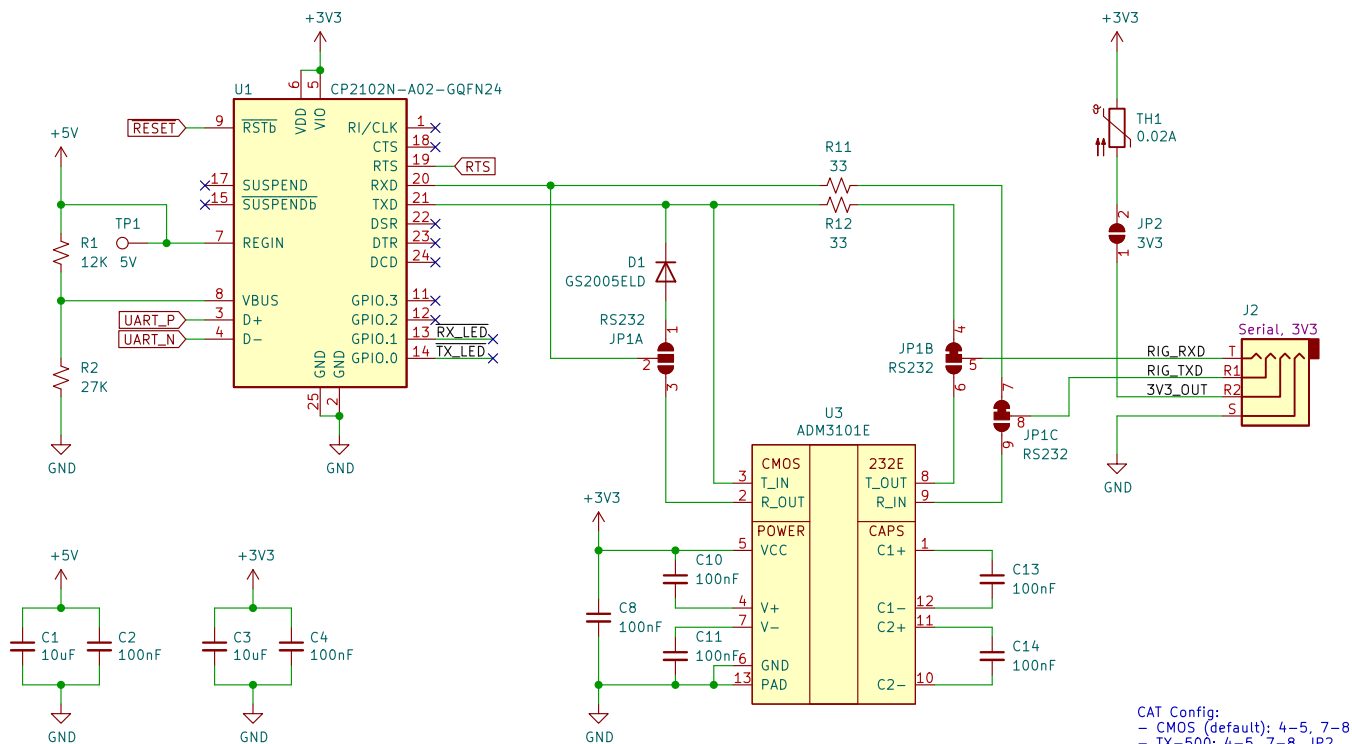


Audio Codec, PTT switch



CM108 Config:
 - Playback & Recording (MODE low)
 - With Mixer / AA-Path Enable (MSEL high)
 - Line out Vpp = 2.5 Volts (VSEL low)
 - Bus Power with 100mA (PWRSEL high)
 - Use internal ADC (ADSEL low)
 - Normal Operation (TEST low)

UART



CAT Config:
 - CMOS (default): 4-5, 7-8
 - TX-500: 4-5, 7-8, JP2
 - RS-232: 2-3, 5-6, 8-9
 - CI-V: 1-2, 2-5

<https://digirig.net/>
 GNU General Public License v3.0
 Denis Grisak - KOTX
Softcomplex, Inc
 Sheet: /
 File: digirig-mobile.kicad_sch

Title: Digirig Mobile		Rev: 1.9
Size: A3	Date:	Id: 1/1
KiCad E.D.A. kicad (6.0.0)		